

AWE 89612



ServiceInformation

Washing machine Toploader

AWE 89612

8593 962 10020

www.mosogepszerviz.info

SparePartList

| Pos | 12NC | Description |
|------|--------------|---------------------------|
| 1001 | 481244010745 | Lid outer GW |
| 1003 | 481244011824 | Lid inner +hook+spring |
| 1040 | 481244010747 | Lid cpl. WH/MH GW |
| 1104 | 481249818248 | Handle cpl. WH/MH GW |
| 1300 | 481010464112 | Door lock |
| 1310 | 481241719156 | Hook f. Lid GW |
| 1600 | 481244010742 | Front panel GW |
| 1601 | 481245938057 | Flap round GW |
| 1602 | 481245938058 | Hinge flap GW |
| 1610 | 480110100103 | Rear panel |
| 1620 | 481244010743 | Side panel right GW |
| 1621 | 481010394468 | Side panel left |
| 1810 | 481252918043 | Shock absorber |
| 1811 | 480110100803 | Pin shock absorber |
| 1820 | 481246688466 | Counter weight left |
| 1821 | 481246688465 | Counter weight right |
| 1840 | 481244010727 | Drip tray assy |
| 1850 | 481246248054 | Foot |
| 1851 | 481252878075 | Foot rear |
| 1852 | 481231018497 | Trolley kit front |
| 1870 | 481244011663 | Frame Top + nozzle box |
| 1871 | 481075034112 | Frame inner |
| 1880 | 481241719155 | Hinge bolt lid GW |
| 1910 | 480110100143 | Door bellow |
| 1911 | 481249298012 | Strap f. Doorbellow |
| 1912 | 481246688703 | Seal |
| 2000 | 481241818748 | Tub kit |
| 2001 | 481244011798 | Cover for tub |
| 2200 | 480111102249 | Drum HR 210/M8, kit |
| 2211 | 481231018843 | Kit latch f.drum |
| 2230 | 480110100104 | Drum lifter low |
| 2710 | 481235818206 | Belt PV 1236 J4 EL |
| 2720 | 481252888111 | Pulley with fastener |
| 2900 | 481253268078 | Gasket |
| 3010 | 481010513402 | Control panel |
| 3013 | 481245310906 | Window FLD |
| 3310 | 481241458334 | Knob timer EBL WP25 |
| 3312 | 481241458307 | Spring Knob timer |
| 3320 | 481241029582 | Push button Reset/Drain |
| 3321 | 481241029583 | Button 2 option WP |
| 3322 | 481241029581 | Button 4 options |
| 3325 | 480111103029 | Button window, left |
| 3326 | 481075041721 | Button window, mid |
| 3327 | 480111103032 | Button window, right |
| 3500 | 481010407102 | Module E9, blue |
| 3501 | 481071426061 | Module B4A, UI, LCD |
| 3511 | 481213418101 | Light guide 4 opt. right |
| 3513 | 481213418102 | Light guide Start/Reset |
| 3514 | 481213418103 | Light guide prog. buttons |
| 4000 | 481073073121 | Motor MCA 52/64-148/ALD10 |

www.mosogep szerviz.info

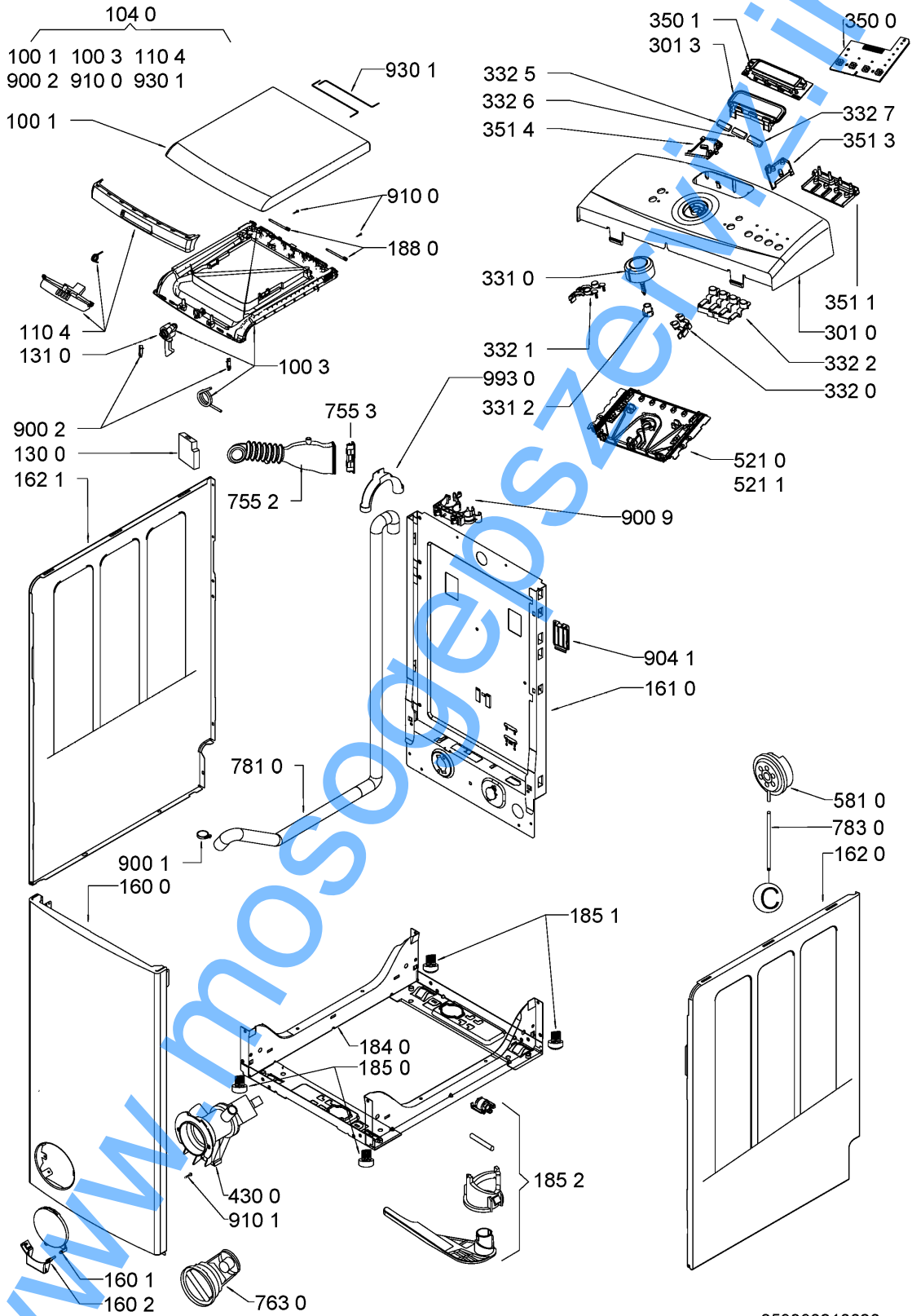
| Pos | 12NC | Description |
|------|---------------|---------------------------------|
| 4001 | 481244019497 | Cover f. Motor |
| 4210 | 481212118285 | Interf.filter |
| 4212 | 481240438679 | Holder RFI |
| 4300 | 4801111104693 | Pump,draining RC006100 |
| 4510 | 481225928823 | Heating element 240 V + NTC |
| 4900 | 481932118136 | Cable mains 2m SA |
| 4910 | 481232128367 | Strain relief |
| 5210 | 481010490545 | Control unit WAVE, progr. |
| 5211 | 481010464473 | control unit basic |
| 5710 | 481228128468 | Valve magnet 1 inlet, 2 outlets |
| 5810 | 481227128554 | Pressostat |
| 6233 | 481241818621 | Drum up |
| 6800 | 481075264992 | Soap dispenser cpl. 3ch. |
| 6801 | 481241868302 | Siphon f. softener |
| 6910 | 481228219485 | Sensor NTC |
| 7010 | 481253029256 | Hose inlet 1.5 m (Eltek) |
| 7020 | 481253029453 | Hose valve-dispenser |
| 7070 | 481252648244 | Nozzle box cold cpl. |
| 7071 | 481252648049 | Clamp f. nozzle box |
| 7430 | 481241868182 | Chamber,air |
| 7540 | 481253029267 | Drainhose |
| 7541 | 481253028832 | Lock eco |
| 7552 | 481253029462 | Hose Air Exhaust |
| 7553 | 481253029463 | Cover exhaust hose |
| 7630 | 481248058403 | Filter |
| 7810 | 481953029035 | Hose draining |
| 7830 | 481253029268 | Hose Pressostat |
| 9000 | 481940118686 | Clamp hose |
| 9001 | 481940118872 | Clamp hose |
| 9002 | 481241868164 | Clip soap dispenser |
| 9004 | 481240118431 | Clamp to pump |
| 9005 | 481940118529 | Clamp hose |
| 9009 | 481225518304 | Holder hose |
| 9040 | 481228118069 | Cover for top frame |
| 9041 | 481246279974 | Cap Transport blocking |
| 9100 | 481250248347 | Screw,selftap 3,5x14 |
| 9101 | 481250238151 | Screw 4x14 |
| 9102 | 480110100801 | Screw M8x18 |
| 9103 | 4801111104699 | Screw M8x22,5/DD |
| 9104 | 481250218828 | Screw Motor, kit |
| 9105 | 481250218423 | Screw PT 7x15 |
| 9106 | 4801111102619 | Nut M8 |
| 9107 | 4801111104284 | Screw 8x40 |
| 9301 | 481249248171 | Torsions spring |
| 9302 | 481249248086 | Spring |
| 9303 | 4801111101911 | Clamp heatingelement |
| 9410 | 481231019268 | Bearing assembly |
| 9411 | 481252028002 | Bearing,ball 6203 2Z C3 |
| 9500 | 481073085033 | Shaft seal V22, NBR562 |
| 9501 | 481252028073 | Ring counterface |

www.mosogep szerviz.info

| Pos | 12NC | Description |
|------------|---------------------|-------------------------|
| 9502 | 481073085082 | O-Ring 35x3 NBR |
| 9503 | 481010395017 | Gasket airtrap |
| 9930 | 481953029028 | U Curve for outlet hose |
| 9991 | 481240018048 | Pin |

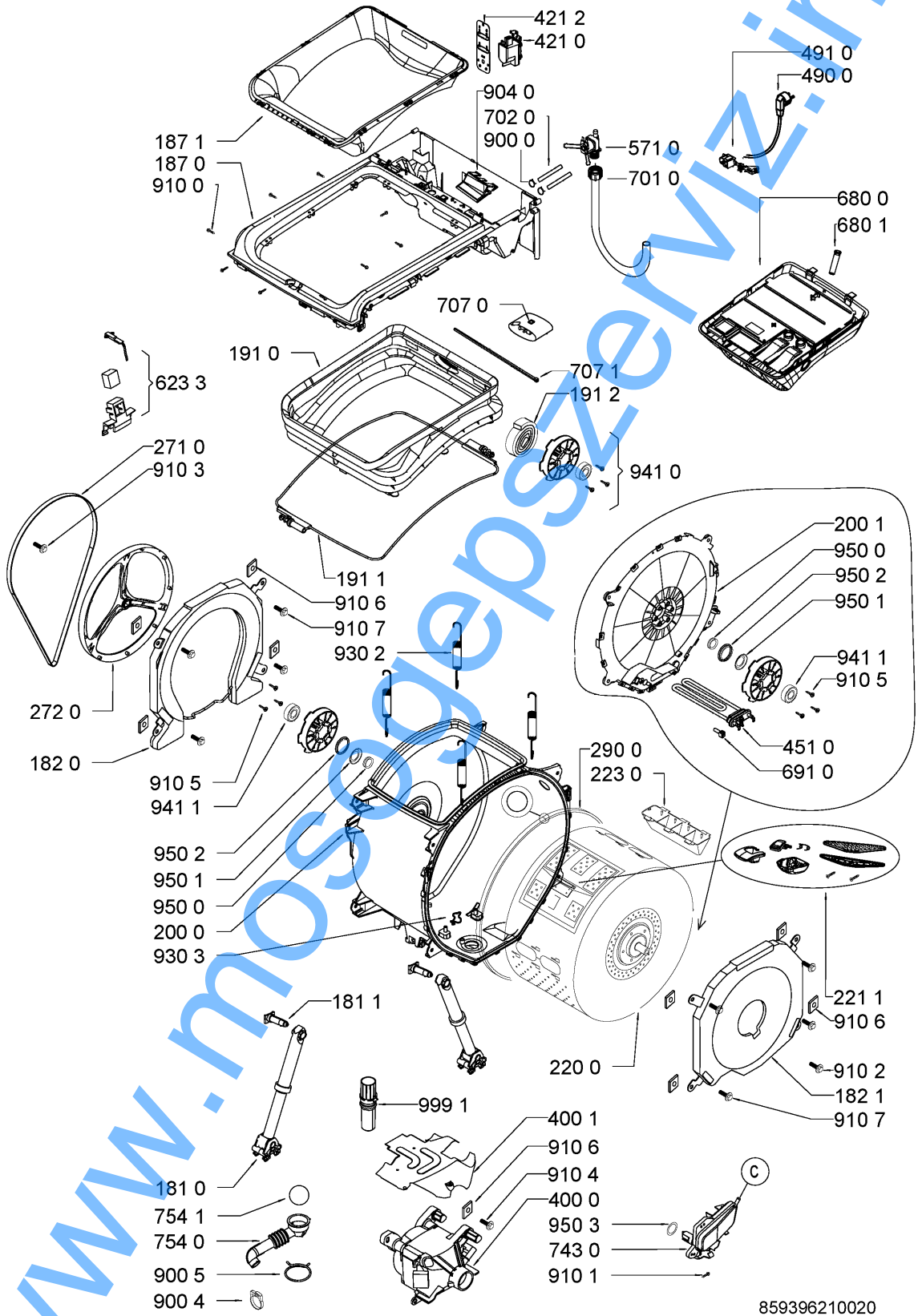
www.mosogep szerviz.info

ExplodedView



859396210020

ExplodedView



859396210020

TechnicalData

Dimensions+Weight

| | |
|--------------------|-------|
| Product dimensions | |
| Height | 85 cm |
| Width | 40 cm |
| Depth | 60 cm |
| Weight | |
| net | 62 kg |

Electricalbasedata

| | |
|-------------------------|------------------|
| Voltage | 230 V \pm 10 % |
| Frequency | 50 Hz |
| Fuse | 10 A |
| Power Consumption | ~2.3 kW |

Drumdata

| | |
|------------------|----------|
| Volume | 42 l |
| Wash speed | 52 rpm |
| Spinning | |
| max. | 1200 rpm |

Drumupsensor

| | |
|-----------------------|----------|
| Nominal voltage | 5 V (DC) |
|-----------------------|----------|

Pressostat

| | |
|----------------|------------|
| Level1 | 11 - 12/14 |
| Overflow | 11 - 16 |

Doorlock

| | |
|-----------------------|-----------------------------------|
| Kind of switch | Switch with PTC heater of bimetal |
| Nominal voltage | 230 (90 - 264) V |
| Locking time | \leq 5 s |
| Unlock time | \leq 180 s |

Inletvalve

| | | |
|--------------------------|---------------------|----------------|
| Nominal voltage | 220 - 240 V / 50 Hz | |
| Rated flow | (1.5 - 5 bar) | 8 l/min |
| Pressure range | 0.3 - 10 bar | |
| Nominal resistance | (20 °C) | 3.8 k Ω |

Drainpump

| | |
|----------------------------------|---------------------|
| Nominal voltage | 220 - 240 V / 50 Hz |
| Total power | 26 W |
| Resistor (coil) | 224 Ω |
| Capacity | 14 \pm 2 l/min |
| Position of draining hose outlet | 0.9 - 1.25 m |

Heatingelement

| | |
|--------------------|----------------------------|
| Nominal voltage | 240 V +10%, -15% |
| Total power | 2050 W |
| Resistance (20 °C) | 28.09/26.0 $\Omega \pm$ 5% |
| Leakage current | < 0.8 mA |

NTC sensor

Resistance NTC

| | | |
|-------|------|------------|
| 0 °C | 35.9 | k Ω |
| 30 °C | 9.8 | k Ω |
| 40 °C | 6.6 | k Ω |
| 50 °C | 4.6 | k Ω |
| 60 °C | 3.2 | k Ω |
| 70 °C | 2.3 | k Ω |
| 95 °C | 1.1 | k Ω |

Motor

| | |
|---------------------|----------------|
| Resistance contacts | (20 °C) |
| Stator (full field) | 2.45 Ω |
| Rotor | 1.90 Ω |
| Tacho generator | 68.70 Ω |

Controlunit

| | |
|---------------------|---------------|
| Type | WAVE |
| Nominal voltage | 230 V - 240 V |
| Frequency | 50 Hz |
| Output control unit | |

| | | |
|------------------|-----------------|--------|
| Motor | M7.6 - DSS3.2 | >40 V |
| Aquastop | AQ2.2 - DSS3.2 | 230 V |
| In pump step | AQ2.1 - DSS3.3 | 230 V |
| NTC | Not measurable | — |
| Pump | DP2.1 - DP2.2 | 230 V |
| Doorlock | DSS3.1 - DSS3.3 | 230 V |
| Pressostat | E4 - E2 | 230 V |
| - empty | PR2.1 - E2 | 230 V |
| - full | PR2.2 - E2 | 230 V |
| Valve (Rast 2.5) | V2.1 - V2.2 | >170 V |
| Options | Not measurable | — |

www.mosogep szerviz.info