



ServiceInformation

Washing machine Frontloader

AWO/C 7113

www.mosogepszerviz.info

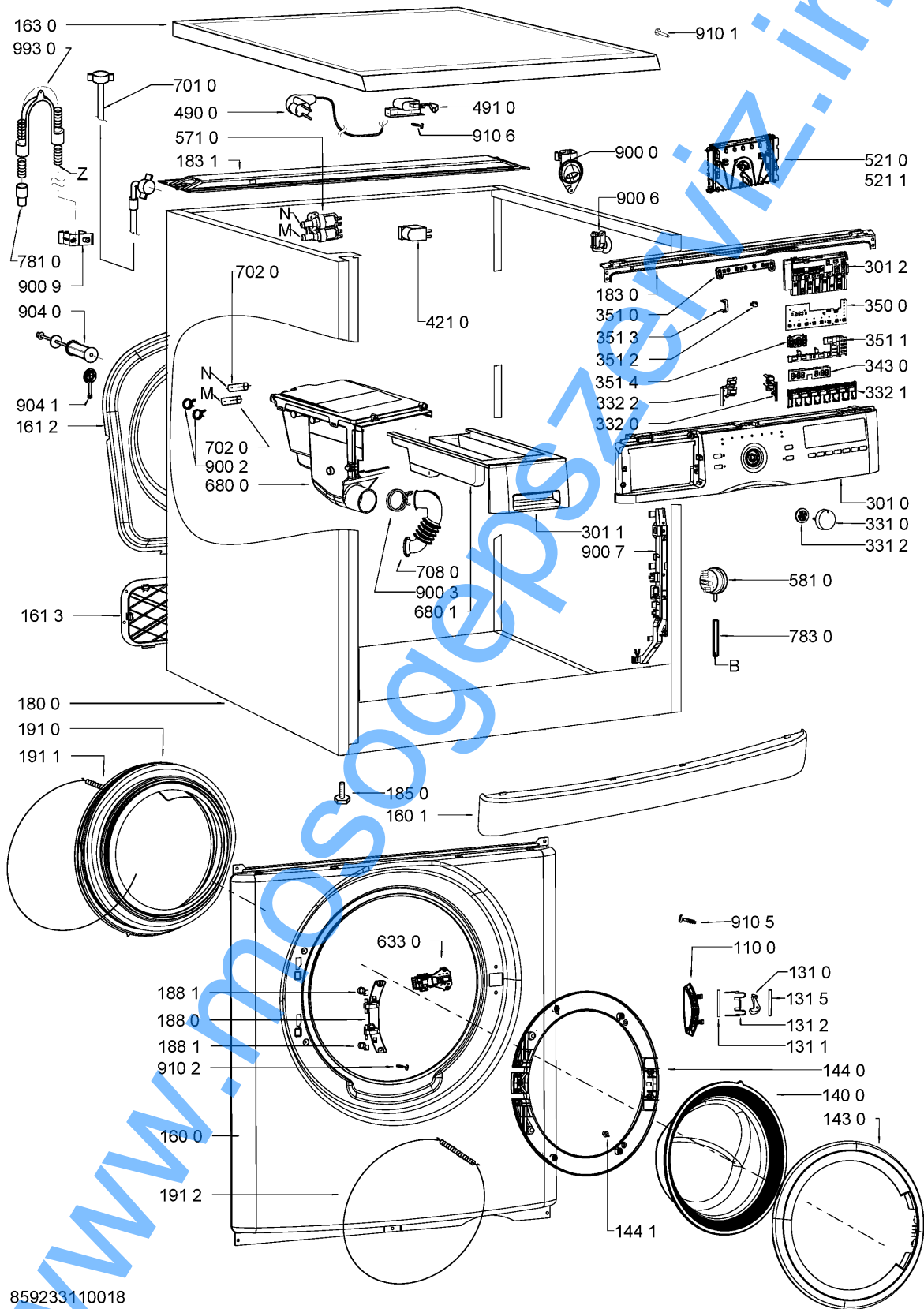
SparePartList

Pos	12NC	Description
1100	481071424001	Handle door
1310	481071423921	Lock
1311	481071424021	Shaft Handle
1312	481071423931	Spring Door Lock
1315	481071423941	Shaft Door Lock
1400	481071423981	Door glass
1430	481071423961	Glassdoor frame
1440	481071423911	Frame door glas
1441	481071428351	Fixation
1600	481075043401	Front
1601	481071425791	Plinth
1612	480111101847	Cover rear
1613	481244218047	Cover plast rear
1630	481071425641	Table top
1800	481244011789	Cabinet Eureka, 50l, cold
1810	481252918063	Shock absorber U-SHAPE
1811	481240118894	Fixation eureka
1820	481246689017	Counter weight upper, Eureka 50-54l
1821	481246689018	Counter weight front, bottom, Eureka 50l
1822	481231039287	Mounting kit weight, EUREKA
1830	481075298451	Support Control panel
1831	481244011581	Crossbar U-SHAPE
1850	481250018099	Adjust. foot M8, 112mm
1880	481071424041	Hinge
1881	481071424051	Bushing Hinge
1910	481246068633	Door bellow Eureka 473 50 lt
1911	481249218028	Strap Eureka
1912	481249298011	Strap
2000	480111102191	Wash unit EUREKA 1400/50L
2230	480111104079	Drum lifter 44L, Eureka
2710	481235818215	Belt Eureka 1239/J5
2720	480111100742	Pulley EUR/LR
3010	481010472395	Control panel
3011	481010487637	Handle drawer
3012	481010547562	Bracket Module
3310	481071425401	Knob
3312	480111100231	Bushing
3320	481071425341	Button Start
3321	481071425361	Button Options BD
3322	481071425351	Button Options 2
3430	481071425741	Display
3500	481071428481	Module
3510	481213418046	Light guide Prog. Flow
3511	481071425721	Light guide Options BD
3512	481213418047	Guide,light Start low
3513	481213448362	Guide,light options low
3514	481071425711	Light guide Display
4000	481236158522	Motor MCA 52/64/WHE20/EU
4009	481236248004	Brush.carbon, Motor CESET
4210	481010503697	Interf.filter

Pos	12NC	Description
4300	480111100786	Pump,draining
4510	481225928823	Heating element 240 V + NTC
4800	480111100719	Cable Motor 7-pole DOMINO
4900	481932118136	Cable mains 2m SA
4910	481232128367	Strain relief
5210	481010501017	Control unit WAVE ECO, progr.
5211	481010438414	Control unit Wave ECO K1,TF basic
5710	480111100199	Valve,magnet
5810	481227128554	Pressostat
6330	481075043881	Door lock Rold DM569517
6800	481010494460	Dispenser
6801	481074669761	Drawer
6910	481228219485	Sensor NTC
7010	481253029256	Hose inlet 1.5 m (Eltek)
7020	481010502638	Hose 12 x 2.5 x 230
7080	481253049392	Bend disp.-tub Eureka
7540	481253029495	Drainhose tub-pump Eureka
7541	481253028832	Lock eco
7630	481248058385	Filter pump
7810	481253029496	Hose draining
7830	481253029497	Hose Pressostat
9000	481240118854	Holder outlet hose
9001	481940118872	Clamp hose
9002	481240118501	Clamp hose 19.2 mm
9003	480111104423	Clamp hose
9004	481240118414	Clamp hose
9005	481940118529	Clamp hose
9006	481240118446	Cable clamp
9007	481229088123	Bracket eureka
9009	481225518298	Holder outlet hose
9040	481253268151	Spacer
9041	480111103932	Cover Kit 4x
9049	481246658023	Silent bloc
9100	481250518427	Nut M6 with washer
9101	481250248344	Screw
9102	481250218815	screw 4.2 x 8.5
9103	480111104699	Screw M8x22,5/DD
9104	481250218828	Screw Motor, kit
9105	481250248015	Screw 4,0x16-TORX
9106	481250238152	Screw 4.8x19
9300	481249238419	Spring suspension-EUREKA
9930	481953029028	U Curve for outlet hose

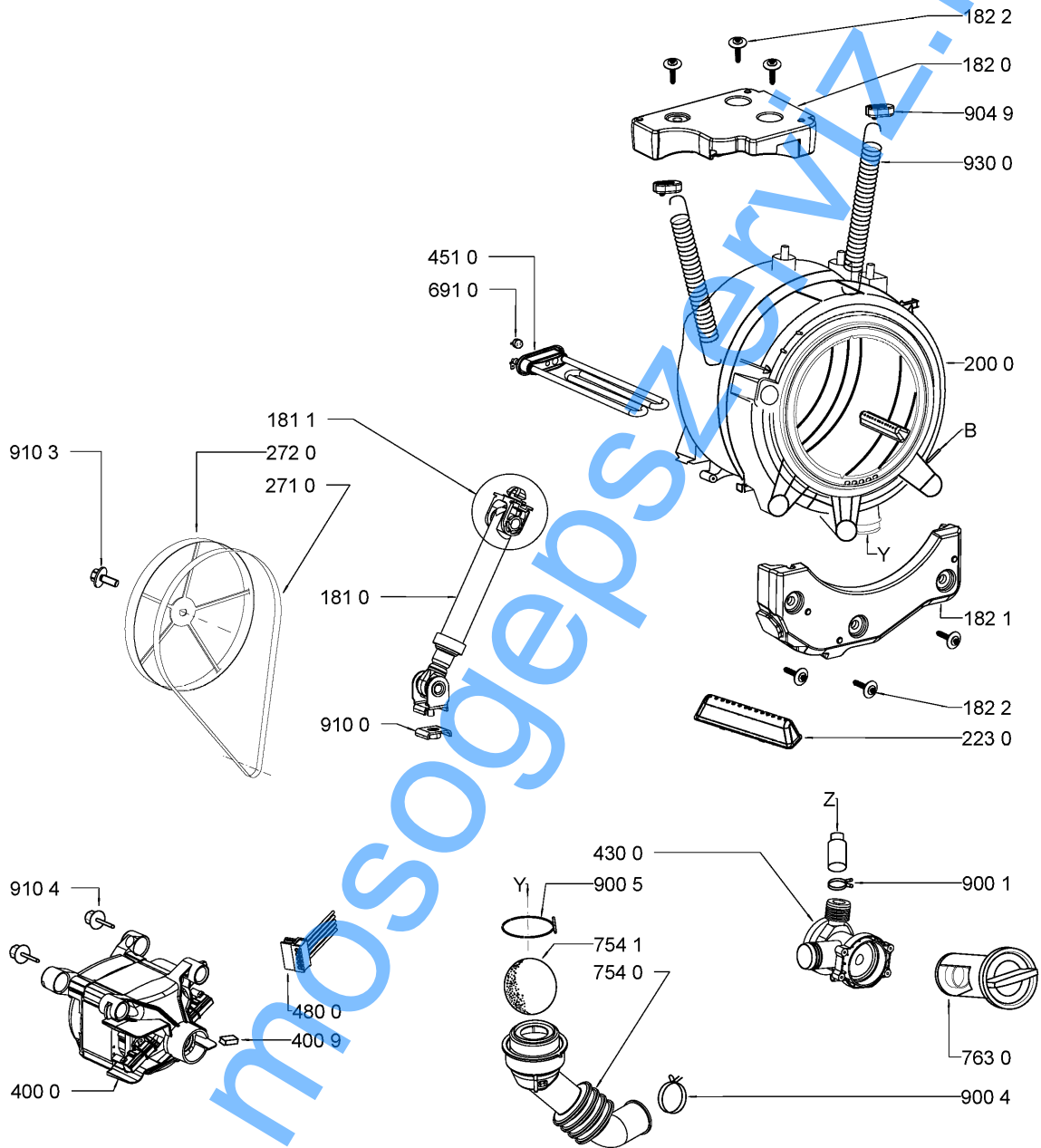
www.mosogep szerviz.info

ExplodedView



859233110018

ExplodedView



859233110018

TechnicalData

Dimensions+Weight

Product dimensions	
Height	81.5 - 84 cm
Width	59.5 cm
Depth	57.3 cm
Weight	
net	72 kg

Electricalbasedata

Voltage	230 V \pm 10%
Frequency	50 Hz
Fuse	10 A
Power Consumption	~2.3 kW

Drumdata

Volume	52 l
Wash speed	54 rpm
Spinning	
max.	1000 rpm

Pressostat

Level1	11 - 12/14
Overflow	11 - 16

Doorlock

Kind of switch	Switch with PTC heater of bimetal
Nominal voltage	230 (90 - 264) V
Locking time	< 6 s
Unlock time	40 - 220 s

Inletvalve

Nominal voltage	220 - 240 V
Frequency	50 Hz
Rated flow	(1.5 - 5 bar) 8 l/min
Pressure range	0.3 - 10 bar
Nominal resistance	(20 °C) 3.8 k Ω

Heatingelement

Nominal voltage	240 V +10%, -15%
Total power	2050 W
Resistance (20 °C)	28.09/26.0 Ω \pm 5%
Leakage current	< 0.8 mA
NTC sensor	
Resistance NTC	

0 °C	35.9	kΩ
30 °C	9.8	kΩ
40 °C	6.6	kΩ
50 °C	4.6	kΩ
60 °C	3.2	kΩ
70 °C	2.3	kΩ
95 °C	1.1	kΩ

Drainpump

Nominal voltage	220 - 240 V / 50 Hz
Total power	30 W
Resistor (coil)	160 Ω
Capacity (0.55 - 1 m)	14 ± 2 l/min

Motor

Resistance contacts (20 °C)	
Stator (full field)	2.24 Ω
Stator (tapped field)	1.12 Ω
Rotor	2.15 Ω
Tacho generator	68.70 Ω

Controlunit

Type	WAVE
Nominal voltage	230 V / 50 Hz
Output control unit	

Motor	M7.6 - DSS3.2	> 40 V
Aquastop	AQ2.2 - DSS3.2	230 V
In pump step	AQ2.1 - DSS3.3	230 V
NTC	Not measurable	
Pump	DP2.1 - DP2.2	230 V
Doorlock	DSS3.1 - DSS3.3	230 V
Pressostat	E4 - E2	230 V
- empty	PR2.1 - E2	230 V
- full	PR2.2 - E2	230 V
Valve (Rast 2.5)	V2.1 - V2.2	>170 V
Options	Not measurable	