

PRIVILEG

Washing machine Toploader PWT 4626Z

SparePartList	2
ExplodedView	5
TechnicalData	7
WiringDiagram	10
CircuitDiagram	12
ProgramChart	14
Testprogram	34
ErrorCodes	35
ServiceBulletin481271240393	42
ServiceBulletin481271240301	44
ServiceBulletin481271240385	45
ServiceBulletin481271240379	46
ServiceBulletin481271240313	49
ServiceBulletin481271240367	50
ServiceBulletin481271240315	51
ServiceBulletin481271240362	52

SparePartList

Pos	12NC	Description
1001	481244010842	Lid outer GW
1003	481010444922	Lid inner Boston
1040	481010443838	Lid assembly
1104	481010444103	Handle assembly
1300	481010474505	Door lock with cable
1310	481010444947	Hook f. Door lock
1311	481010444928	Spring f.hook
1600	481244010838	Front panel WH GW
1601	481245938057	Flap round GW
1602	481245938058	Hinge flap GW
1610	480111104682	Rear panel
1620	481244010839	Side panel right GW
1621	481244010841	Side panel left GW
1810	481252918043	Shock absorber
1811	480110100803	Pin shock absorber
1812	481240118412	Stopper
1820	480111104683	Counter weight
1821	481246688465	Counter weight right
1840	481244010727	Drip tray assy
1850	481246248054	Foot
1851	481252878075	Foot rear
1852	481231018497	Trolley kit front
1870	481010403204	frame top
1871	481010422667	Frame inner
1880	481241719155	Hinge bolt lid GW
1910	481010410453	Door bellow TL HR STD
1911	481010410280	Strap f. Doorbellow
1912	481246688703	Seal
2000	481010555527	Tub DD-STD
2001	480111104687	Cover for tub
2030	481231018457	Insulation front
2200	481073593781	Drum
2211	481073593551	Kit f.drum
2230	480110100104	Drum lifter low
2900	481253268078	Gasket
3010	481010565014	Control panel
3011	481245217694	Window DOMINO WH, Remaining time
3012	481245310603	Window DOMINO WH, Temp.
3310	480111105053	Knob timer
3312	481241458307	Spring Knob timer
3320	481241029503	Push button start/reset
3321	481241029515	Push button
3322	481241029501	Push button 4 Opt.
3323	481241029502	Push button 3 Opt. left
3500	481223958076	Module E4 4 Opt. w. Display
3502	480110100105	Module E-6, Display left
3510	481213418083	Light guide
3511	481213418078	Light guide 4 Opt.
3512	481213418089	Light guide 2 Opt. left
4000	481010485263	Motor TL DD/ALU/1200

www.mosogepiszerviz.info

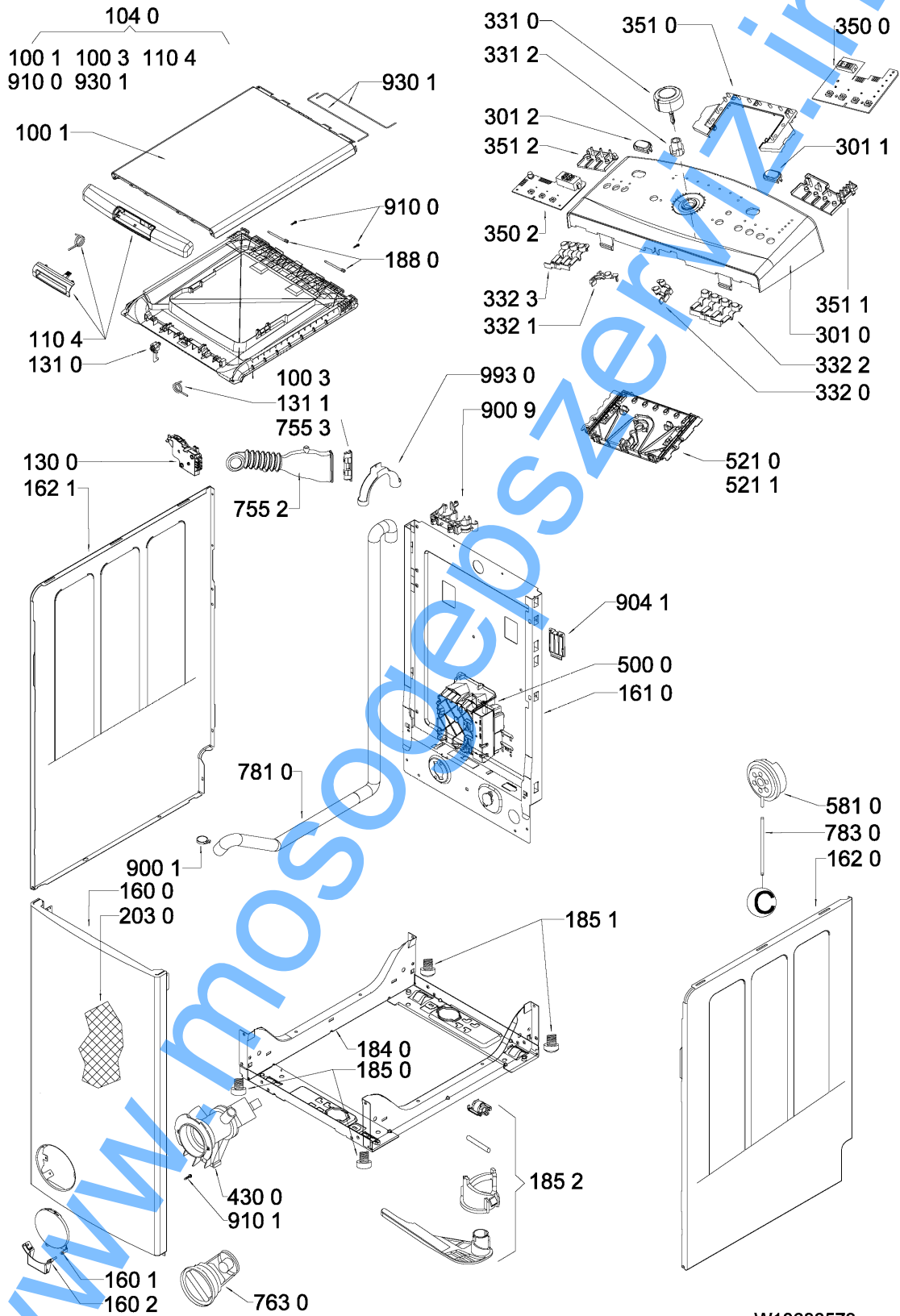
Pos	12NC	Description
4210	481010503697	Interf.filter
4212	481240438679	Holder RFI
4300	481073071153	Pump draining R2.5Y
4510	481010645279	Heating element 240V/2050W+NTC double gr
4900	481932118136	Cable mains 2m SA
4902	480111104709	Ferrite core
4910	481232128367	Strain relief
5000	480111104691	Control unit Motor
5210	481010593815	Control unit WAVE ECO, progr.
5211	481010560644	Control unit WAVE_B ECO FULL, basic eSam
5710	481228128468	Valve magnet 1 inlet, 2 outlets
5810	481227128554	Pressostat
6233	480111104696	Sensor Drum up
6800	481010424468	Soap dispenser cpl.
6910	481228219485	Sensor NTC
7010	481253029256	Hose inlet 1.5 m (Eltek)
7020	481253029453	Hose valve-dispenser
7070	481010424466	Nozzle box cpl.
7071	481252648049	Clamp f. nozzle box
7430	481241868182	Chamber,air
7540	481253029267	Drainhose
7541	481253028832	Lock eco
7542	481253029352	Flange eco
7552	481253029462	Hose Air Exhaust
7553	481253029463	Cover exhaust hose
7630	481248058403	Filter
7810	481953029035	Hose draining
7830	481253029268	Hose Pressostat
9000	481940118686	Clamp hose
9001	481940118872	Clamp hose
9004	481240118431	Clamp to pump
9005	481940118529	Clamp hose
9009	481225518304	Holder hose
9040	481228118069	Cover for top frame
9041	481246279974	Cap Transport blocking
9100	481250248347	Screw,selftap 3,5x14
9101	481250238151	Screw 4x14
9102	480110100801	Screw M8x18
9103	480111104699	Screw M8x22,5/DD
9104	480111104698	Screw 8x23
9105	481250218423	Screw PT 7x15
9106	480111102619	Nut M8
9107	480111104284	Screw 8x40
9108	480111104697	Screw 8x28
9109	480111104701	Washer 8.4x25x2
9301	481249248171	Torsions spring
9302	481249248086	Spring
9303	480111101911	Clamp heatingelement
9410	481231019144	Bearing kit ALL 1100
9411	481252028002	Bearing,ball 6203 2Z C3

www.mosogep szerviz.info

Pos	12NC	Description
9412	480111104702	Bearing
9500	481073085033	Shaft seal V22, NBR562
9501	481252028073	Ring counterface
9502	481073085082	O-Ring 35x3 NBR
9503	481010395017	Gasket airtrap
9504	480111104703	Shaft seal
9930	481953029028	U Curve for outlet hose
9991	481240018048	Pin

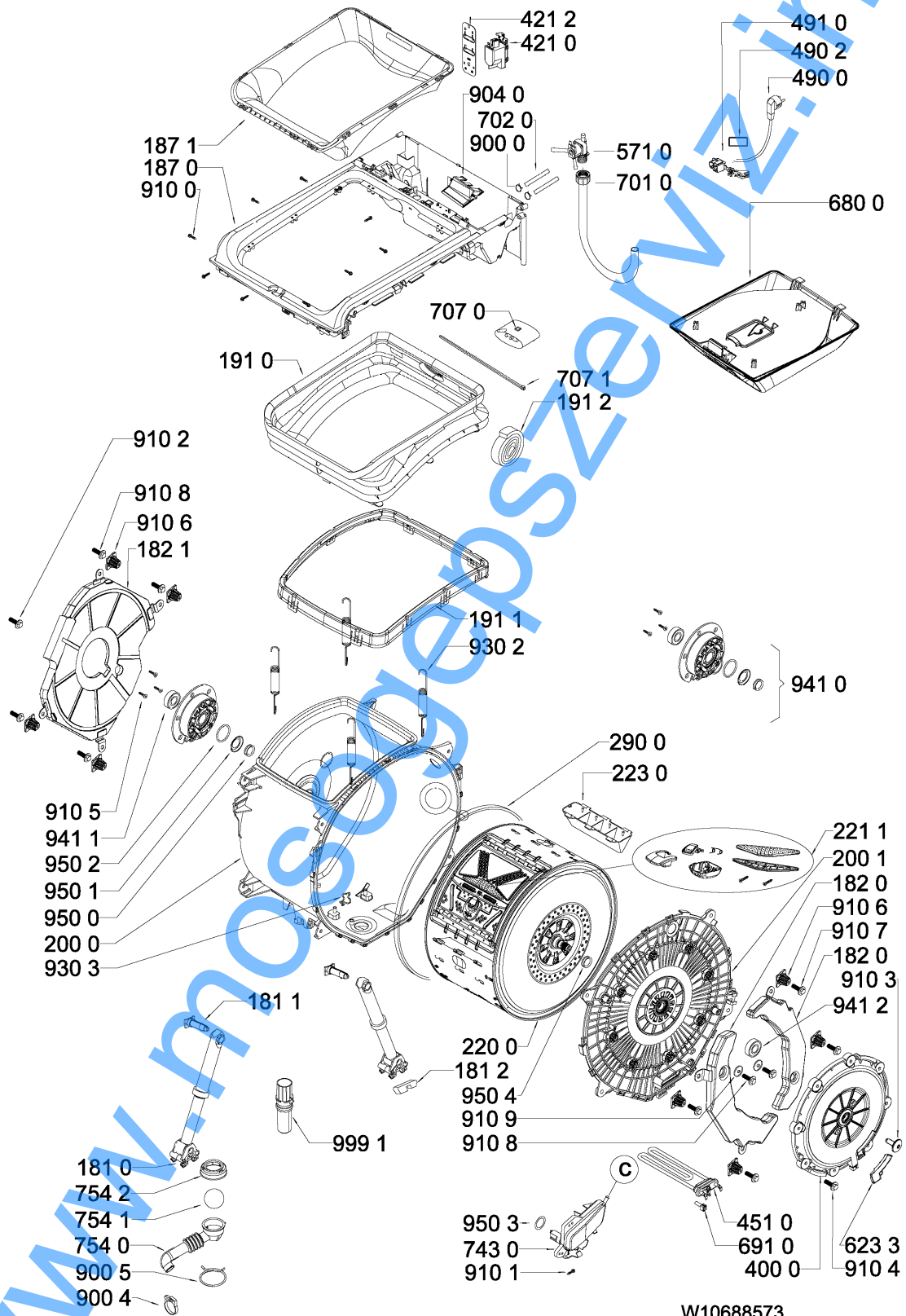
www.mosogepszerviz.info

ExplodedView



W10688573

ExplodedView



W10688573

TechnicalData

Dimensions+Weight

Product dimensions	
Height	85 cm
Width	40 cm
Depth	60 cm
Weight	
net	58 kg

Electricalbasedata

Voltage	230 V \pm 10 %
Frequency	50 Hz
Fuse	10 A
Power Consumption	~2.3 kW

Drumdata

Volume	42 l
Wash speed	52 upm
Spinning	
max.	1200 upm

Drumupsensor

.....	(SE - Hall Sensor)
Nominal voltage	4.2 - 24 V DC

Pressostat

Level1	11 - 12/14
Overflow	11 - 16

Doorlock

Kind of switch	Schalter mit PTC aus Bimetall
Nominal voltage	230 (90 - 264) V
Locking time	\leq 5 s
Unlock time	\leq 180 s

Inletvalve

Nominal voltage	220 - 240 V / 50 Hz
Rated flow	(1.5 - 5 bar) 8 l/min
Pressure range	0.3 - 10 bar
Nominal resistance	(20 °C) 3.8 k Ω

Drainpump

Nominal voltage	220 - 240 V / 50 Hz
Total power	26 W
Resistor (coil)	224 Ω
Capacity	14 \pm 2 l/min
Position of draining hose outlet	0.9 - 1.25 m

Heatingelement

Nominal voltage	230 V +10%, -15%
Total power	2050 W
Resistance (20 °C)	23.9 / 25.8 $\Omega \pm 5 \%$
Leakage current	< 0.8 mA

NTC sensor

Resistance NTC

0 °C	35.9	k Ω
30 °C	9.8	k Ω
40 °C	6.6	k Ω
50 °C	4.6	k Ω
60 °C	3.2	k Ω
70 °C	2.3	k Ω
95 °C	1.1	k Ω

Motor

Resistance contacts	(25 °C)	15.5 $\Omega \pm 5 \%$
---------------------	---------	------------------------

Controlunit

Type	WAVE
Nominal voltage	230 V / 50 Hz
Output control unit	

MCU DD	MS2.1 - MS2.2	230 V
Aquastopp	AQ2.2 - DSS3.2	230 V
- im Pumpenschritt	AQ2.1 - DSS3.2	230 V
NTC	nicht meßbar	—
Pumpe	DP2.1 - DP2.2	230 V
Türverriegelung	DSS3.1 - DSS3.3	230 V
Niveauschalter	E4 - E2	230 V
- leer	PR2.1 - E2	230 V
- voll	PR2.2 - E2	230 V
Ventil (Rast 2.5)	V2.1 - V2.2	>170 V
Optionen	nicht meßbar	—

Motorcontrolunit(MCU)

Type	Direct Drive
Nominal voltage	220 - 264 V
Frequency	48 - 62 Hz

www.mosogepszerviz.info