

**CANDY**

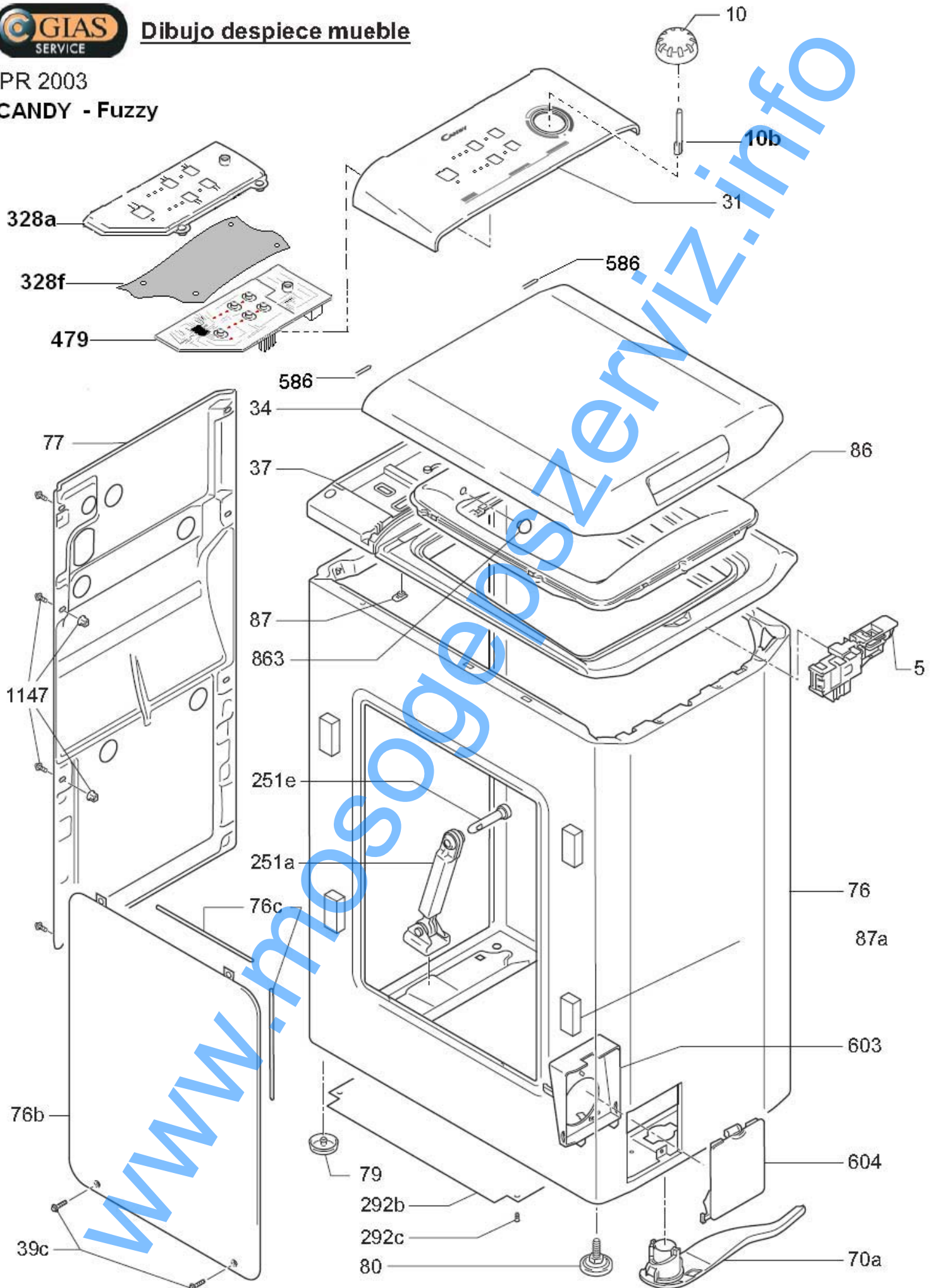
W.MACHINE/WASHER-DRYER

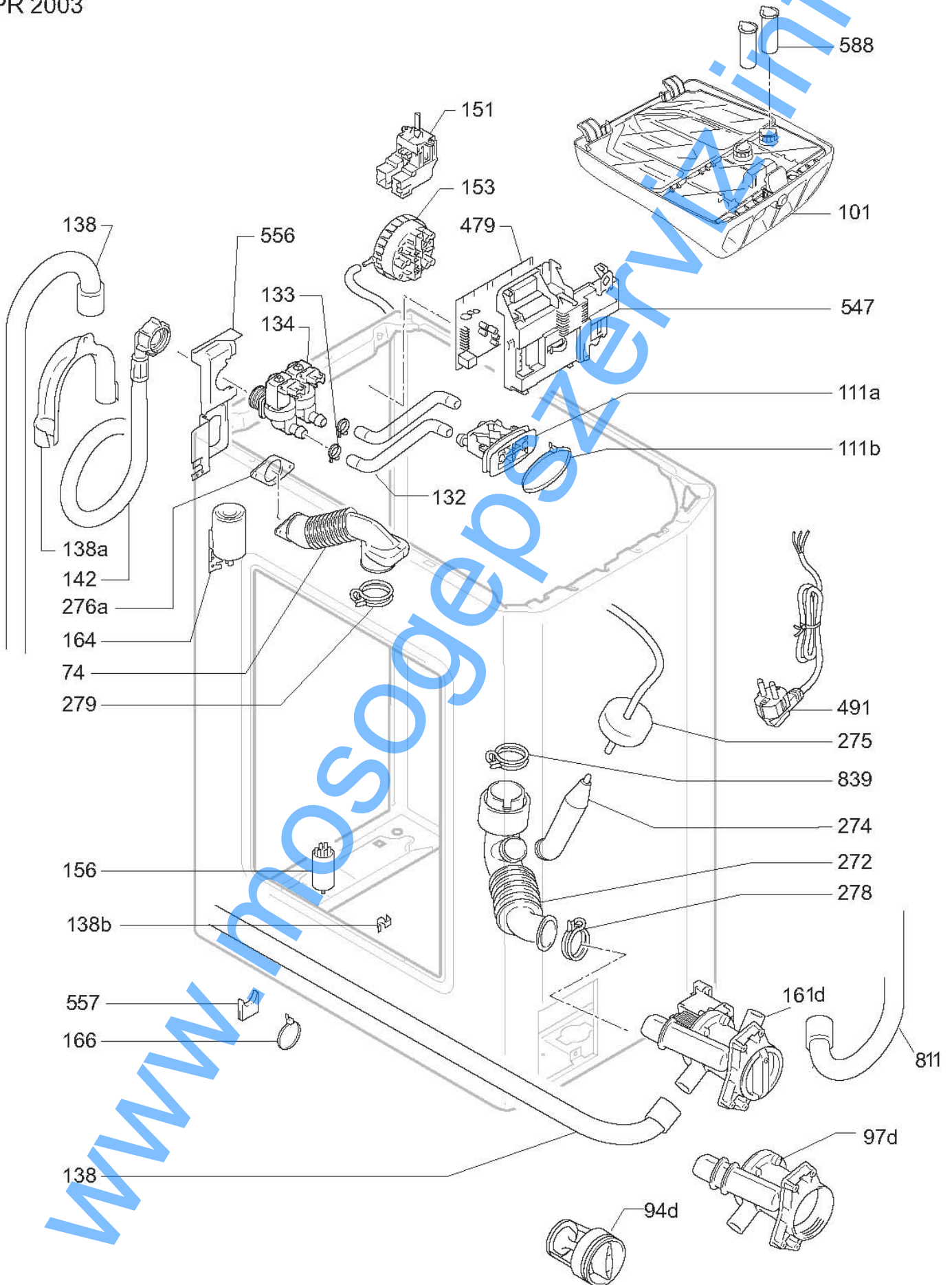
31003817 CTF1055S-47

[www.mosogepiszerviz.info](http://www.mosogepiszerviz.info)

PR 2003

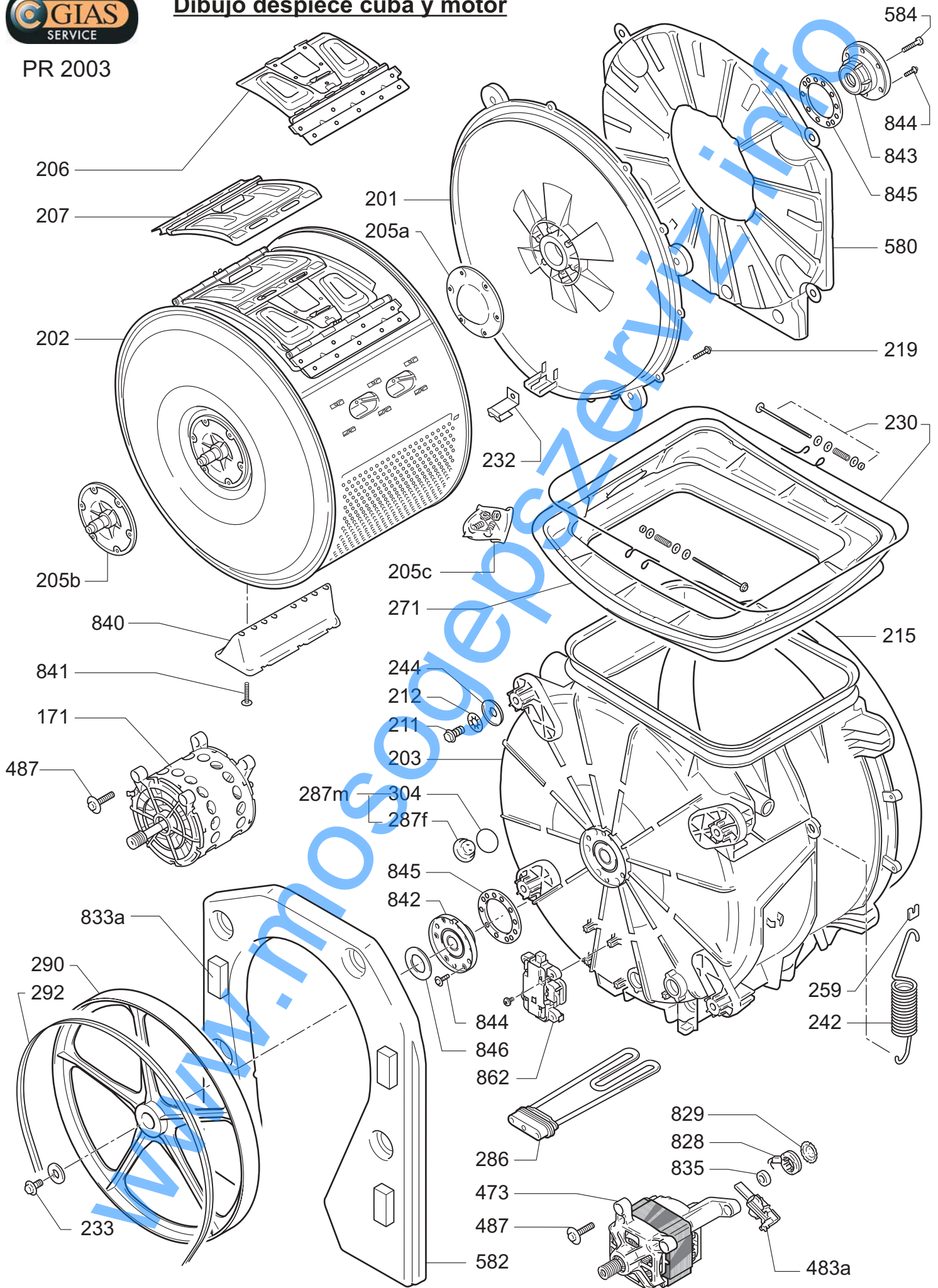
CANDY - Fuzzy





**Dibujo despiece cuba y motor**

PR 2003





		Ricambio Part No. Piece E-Teil Pieza	Inizio Beginning Debut Begin Inicio	Fine Ending Fin End Fin
Ref.	Descrizione - Description - Beschreibung - Descripcion			
5	Door safety device	46002826		
10	Timer/select. knob	46005296		
10b	Timer Shaft extension	41028256		
31	Control panel	46005967		
34	Cover	46003941		
37	Upper frame	46005297		
74	Steam drain hose	46004813		
76	Cabinet assy	46003929		
76b	Cabinet side cover	46003931		
76c	Cabinet side cover gasket	80007172		
77	Rear panel	80049269		
79	Rear foot	46000878		
80	Front foot	41011335		
86	Upper frame	46005965		
101	Dispenser drawer	46005453		
111a	Water inject.nozzle assy	46003918		
132	Hose	46002053		
133	Hose clip	92470012		
134	Solenoid valve	41032538		
138	Drain hose	92693373		
138a	Drain house elbow	80001787		
142	Fill hose	92250869		
153	Pressure switch	41026305		
157	Wiring harness	46004804		
158	Mains block	91623678		
161	Drain/recycle pump	46003742		
164	Anti jamming filter radio	91200098		
201	Front flange	46002261		
202	Drum	46001969		
203	Tub	46004583		
206a	Kit drum flap doors	81452850		

		Ricambio Part No. Piec E-Teil Pieza	Inizio Beginning Debut Begin Inicio	Fine Ending Fin End Fin
Ref.	Descrizione - Description - Beschreibung - Descripcion			
211	Bolt	46004844		
211a	Bolt right	46001345		
215	Tub gasket	46000063		
219	Bolt	46000590		
230	Tub gasket clip	46000125		
232	Heater holder	92736578		
233a	Pulley fixing screw	46001626		
242	Support spring.	46004152		
244	Washer	80000664		
251a	Telescopic shock absorber	46001949		
251e	Shoch absorber pin	41017173		
259	Support	46004011		
271	Door gasket	46001221		
272	Discharge pipe	46002537		
274	Pressure switch air chamber	91611202		
275	5x8 hose	80024987		
276a	Grid steam hose	80049867		
286a	Heater+NTC	41026962		
290	Drum pulley	46004459		
292a	Extensible belt	46000003		
292b	Bottom panel	46005060		
328a	Electronic module container	46005324		
473a	Commutator motor SOLE-ACC	46000183		
479t	Electronic control INVENSYS not program.	41033531		
479u	Coreboard INVENSYS programmed	81453403		
483a	Brush with brush holder	81451998		
487	Special bolt	46000559		
491	Mains cable	91200194		
556	Electric valve support	80050450		
557	Hose support hook	80001753		
580	Front connterweight	46004745		

		Ricambio Part No. Piece E-Teil Pieza	Inizio Beginning Debut Begin Inicio	Fine Ending Fin End Fin
Ref.	Descrizione - Description - Beschreibung - Descripcion			
582	Pulley side count.weight	46004205		
586	Counter cover pin	80049343		
588	Siphon	46003427		
603	Self-cleaning protect.	46005063		
604	Filter door	46005064		
828b	Tach.coil	49000464		
832	Discharge pipe circlip	91408004		
833a	Sponge balance weight	46002841		
834	Lower counterweight supp.	92898923		
835a	Magnet	49000465		
840	Drum paddle	46000165		
842	Tub bearing disk	46002264		
845	Gasket	46000255		
863	Rubber door stop	46000692		
1147	Transit bolt kit	81452279		
1147a	Rear pannel fixing kit	81452281		